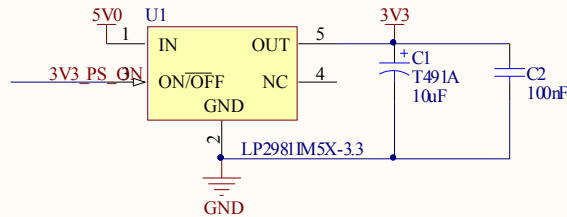
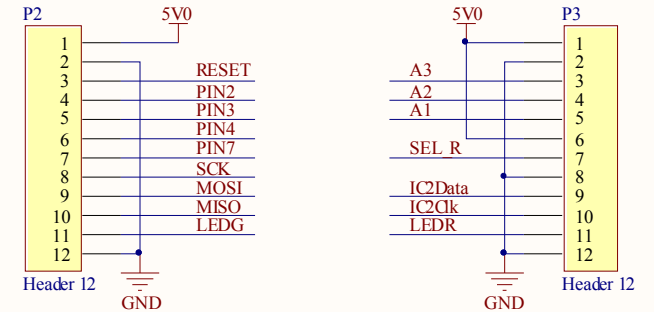


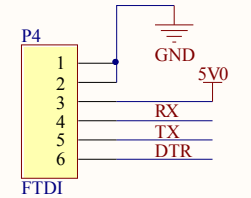
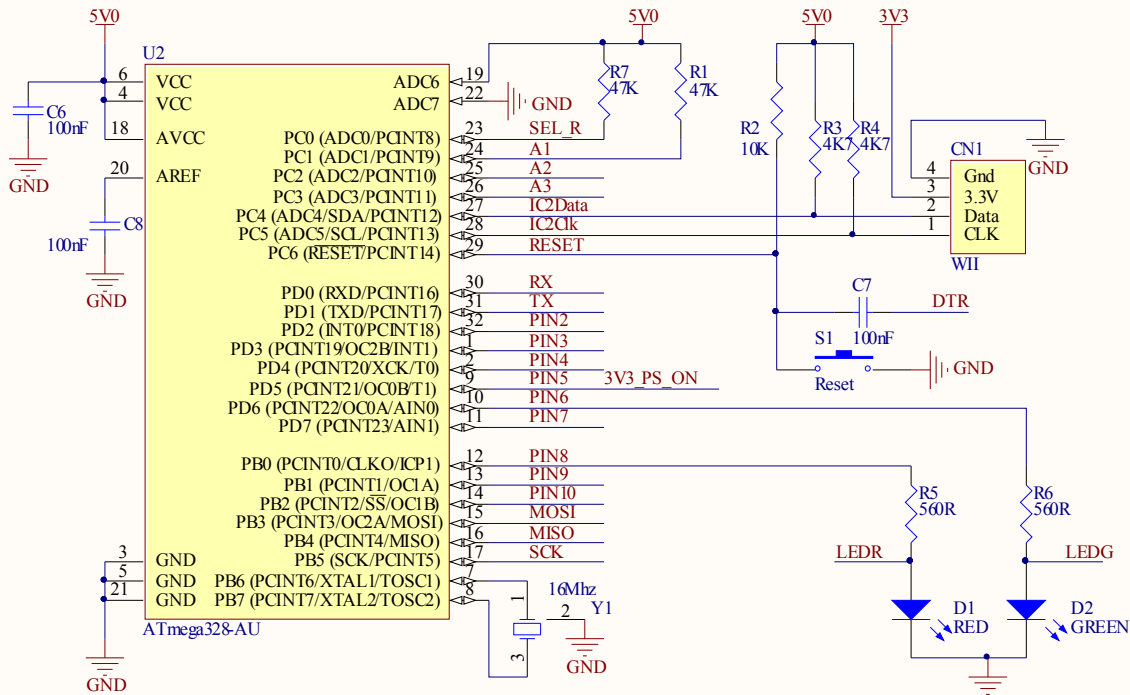
Filter & Reverse Voltage Protection



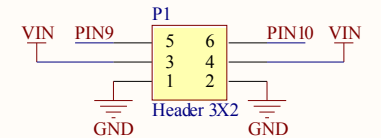
3.3V WII Power Supply



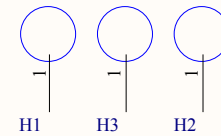
I/O Headers



Serial Port Header



Two channel RC Header



2.5mm mounting holes

Title Mini Wii Remote Controller		
Size A4	Number Copyright Homann Designs ©	Revision V2
Date: 11/09/2014	Sheet of 1 of 1	
File: D:\Projects\...\WiiControllerV2.SchDoc	Drawn By: Peter Homann	