

SERIES: AMT10X
DESCRIPTION: INCREMENTAL ENCODER

FEATURES

- patented capacitive technology
- 16 dip switch programmable resolutions
- straight (radial) and right-angle (axial) versions
- 9 different mounting hole options for AMT102
- 6 different mounting hole options for AMT103
- low power consumption
- line driver output available (CUI-10XE-10)
- -40°C to 100°C operating temperature
- TTL voltage output
- modular package



ELECTRICAL SPECIFICATIONS

output phase difference	90° (A ch leads B ch in CW direction viewed from front)
output current	5 mA max.
output waveform	TTL voltage square wave
output signals	A, B, Z ¹ phase (\bar{A} , \bar{B} , \bar{C} line driver available with CUI-10XE-10)
current consumption	6 mA typ., 10 mA max.
supply voltage	3.6 ~ 5.5 V dc
output resolution (ppr) ²	48, 96, 100, 125, 192, 200, 250, 256, 384, 400, 500, 512, 800, 1000, 1024, 2048
frequency response	250 kHz max.
accuracy ³	±15 arcmin (at 192, 384, 400, 500, 800, 1000, 1024, 2048 ppr) ±30 arcmin (at 96, 200, 250, 512 ppr) ±60 arcmin (at 48, 100, 125, 256 ppr)
max. rotational speed	7500 rpm (at 2048, 1000, 800, 384 ppr) 15000 rpm (at 1024, 500, 400, 192 ppr) 30000 rpm (at 48, 96, 100, 125, 200, 250, 256, 512 ppr)

1. Some stepper motors may leak a magnetic field causing the AMT index pulse to not function properly.

2. All resolutions stated are before quadrature decoding. (example: 1000 ppr x 4 = 4000 counts)

3. Based on full production testing standards and includes all electronic and mechanical based errors, not a computed estimate.

MECHANICAL SPECIFICATIONS

mounting hole options	A) 2 each M1.6 holes on 16 mm (0.63") bolt circle B) 2 each #4 holes on 19.05 mm (0.75") bolt circle C) 2 each M1.6 or M2 holes on 20 mm (0.787") bolt circle D) 3 each M1.6 or M2 holes on 20.9 mm (0.823") bolt circle E) 3 each M1.6 or M2 holes on 22 mm (0.866") bolt circle F) 4 each M1.6 or M2 holes on 25.4 mm (1") bolt circle G) 2 each #4 holes on 15.75 mm (0.62") x 20.96 (0.825") hole layout* H) 2 each #4 holes on 32.43 mm (1.277") bolt circle* I) 2 each #4 holes on 46.03 mm (1.812") bolt circle*	
weight	AMT102	20.5 g
	AMT103	14.0 g
vibration proof	50 m/s ² , 10 ~ 200 Hz, 2 hours each on XYZ	
shock resistance	147 m/s ² , 11 ms, 2 hours each on XYZ	










SERIES: AMT10X
DESCRIPTION: INCREMENTAL ENCODER

ENVIRONMENTAL SPECIFICATIONS

operating temperature	-40° ~ +100° C
storage temperature	-40° ~ +100°C
humidity	30 ~ 95% (no condensation)

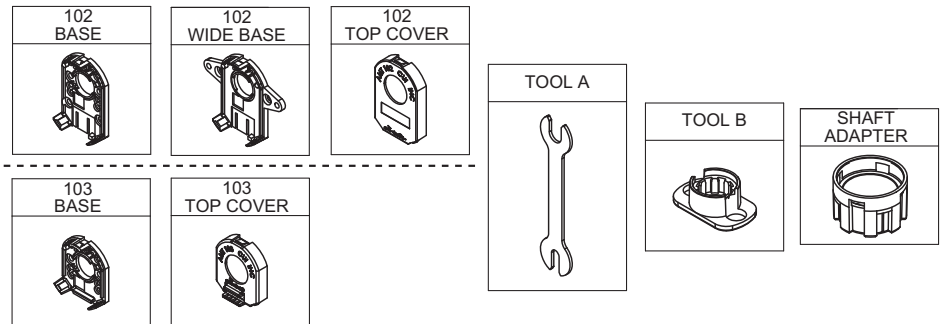
AMT10X-V KIT

In order to provide maximum flexibility for our customers, the AMT10X series is provided in kit form standard. This allows the user to implement the encoder into a range of applications using one sku#, reducing engineering and inventory costs.

SLEEVES								
								
8mm	1/4 inch (6.35mm)	6mm	5mm	3/16 inch (4.76mm)	4mm	1/8 inch (3.175mm)	3mm	2mm
Blue	Snow	Red1	Green1	Yellow1	Gray60	Purple1	Orange	Light Sky Blue

AMT10X - V

Mounting Version:
 2 = Straight (radial connector)
 3 = Right Angle (axial connector)



CUSTOM CONFIG KEY

For customers that prefer a specific AMT10X configuration, please reference the custom configuration key below.

AMT10X - XXXX - X XXXX - X

Mounting Version:
 2 = Straight
 (radial connector)
 3 = Right Angle
 (axial connector)

Resolution:
 D016 = Dip switch
 16 resolutions
 XXXX = Insert set resolution
 from chart

Index Pulse:
 I = Index Pulse
 N = No Index Pulse

Sleeve Bore Diameter:
 2000 = 2 mm
 3000 = 3 mm
 3175 = 3.175 mm (1/8")
 4000 = 4 mm
 4760 = 4.76 mm (3/16")
 5000 = 5 mm
 6000 = 6 mm
 6350 = 6.35 mm (1/4")
 8000 = 8 mm

Mounting Base Plate:
 S = Standard base plate
 (mounting hole options A~F, G on AMT 102)
 W = Wide base plate (**AMT 102 Only**)*
 (mounting hole options G~H)

*If ordering wide base plate, standard base plate is included.

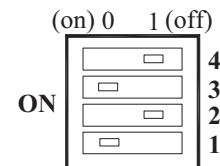
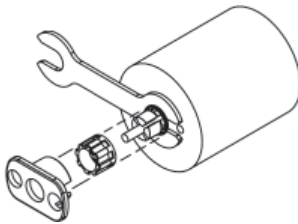
SERIES: AMT10X
DESCRIPTION: INCREMENTAL ENCODER
RESOLUTION SETTINGS

0 = On, 1 = Off

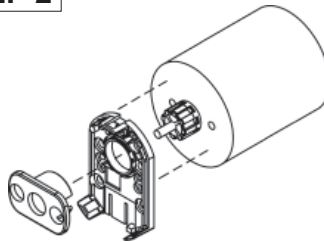
Resolution (PPR)	Maximum RPM	4	3	2	1
2048	7500	1	1	1	1
1000	7500	1	1	1	0
800	7500	1	1	0	1
384	7500	1	1	0	0
1024	15000	1	0	1	1
500	15000	1	0	1	0
400	15000	1	0	0	1
192	15000	1	0	0	0
512	30000	0	1	1	1
250	30000	0	1	1	0
200	30000	0	1	0	1
96	30000	0	1	0	0
256	30000	0	0	1	1
125	30000	0	0	1	0
100	30000	0	0	0	1
48	30000	0	0	0	0

DIP switch:

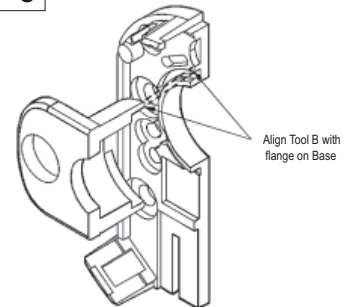
Example setting: 500


ASSEMBLY PROCEDURE
STEP 1


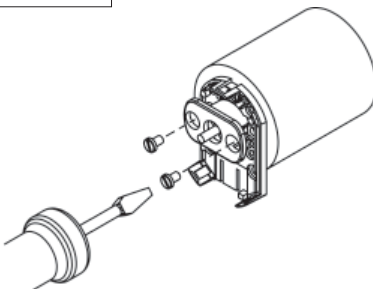
1. Insert Tool A as a spacer that defines the distance to the mounting surface.
2. Slide appropriate sized Sleeve over shaft all the way down to Tool A.
3. Slide Shaft Adaptor over Sleeve.
4. Use Tool B to press Shaft Adaptor over Sleeve until flush with Tool A.

STEP 2


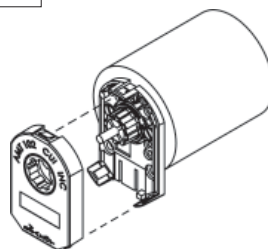
5. Remove Tools A and B.
6. Place Base on motor, with Tool B used as a centering tool.

STEP 3


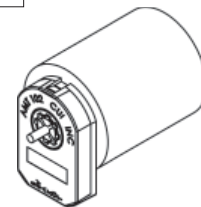
- 6a. Align Tool B with flange on Base.
- 6b. Slide Base and Tool B onto motor, centering onto the Shaft Adaptor.

STEP 4











7. Fasten the Base on the motor.
8. Remove Tool B.

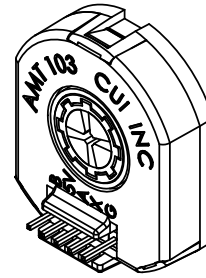
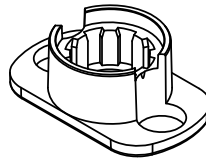
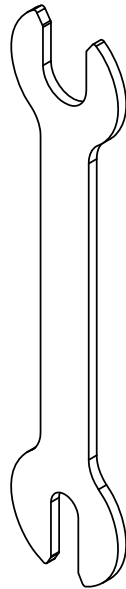
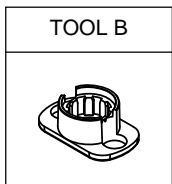
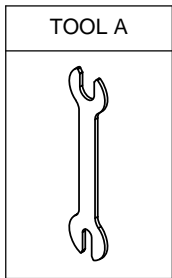
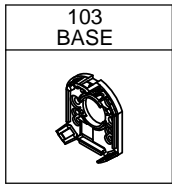
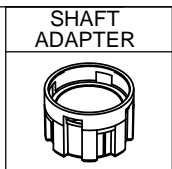
STEP 5


9. Slide the Top Cover onto the Base, carefully observing that the teeth of the Shaft Adaptor align with the grooves in the hub.

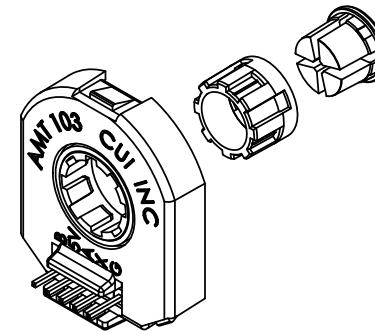
STEP 6


10. Make sure the snaps are fully engaged and the Top Cover is flush with the Base.
11. When assembly is finished, the Shaft Adaptor should be about flush with the front of the Encoder and the Motor Shaft should rotate freely.

SLEEVES		
	2mm	Light Sky Blue
	3mm	Orange
	1/8 inch (3.175mm)	Purple1
	4mm	Gray60
	3/16 inch (4.76mm)	Yellow1
	5mm	Green1
	6mm	Red1
	1/4 inch (6.35mm)	Snow
	8mm	Blue



ASSEMBLY



PIN-OUT	
PIN	DESCRIPTION
B	B CHANNEL
5V	+5VDC POWER
A	A CHANNEL
X	INDEX OUPUT
G	GROUND

MATING CONNECTOR
AMP 3-640440-5

CABLES AVAILABLE
(SOLD SEPERATELY)



CUI INC










20050 SW 112th Ave.
Tualatin, OR 97062
Phone: 503-612-2300
800-275-4899
Fax: 503-612-2383
Website: www.cui.com

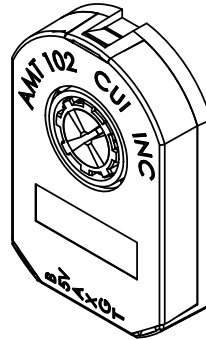
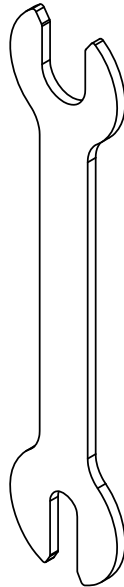
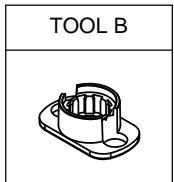
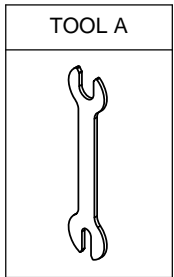
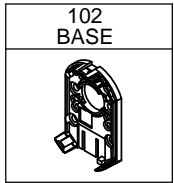
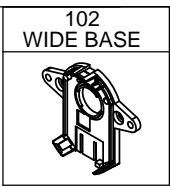
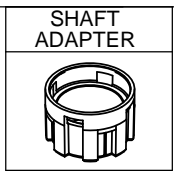
TITLE: AMT103-V		REV: E
PART NO. AMT103-V		UNITS: MM [INCHES]
DRAWN BY: ZRJ	APPROVED BY:	SCALE: N/A

AMT103-V comes with all items shown: all Sleeve sizes, Shaft Adapter, Base, Top Cover, Tool A, Tool B, Index Pulse, and 16 Resolution Dip Switch.

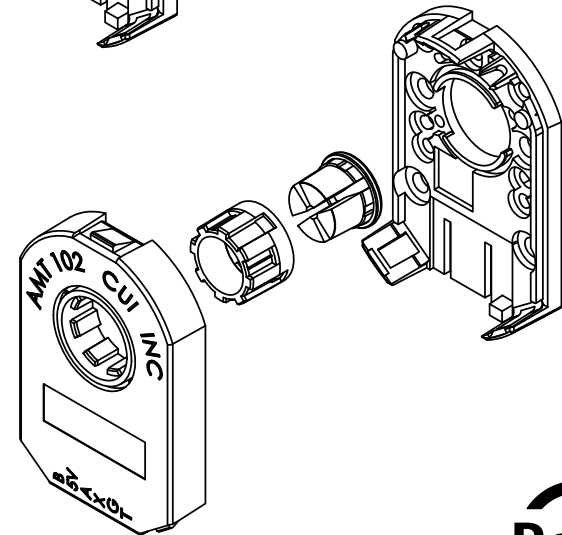
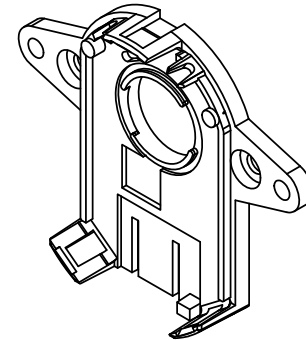
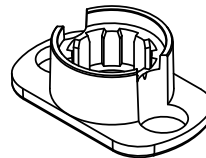
PC FILE NAME:
AMT103-V-REV-E

COPYRIGHT 2008 BY CUI INC.

SLEEVES		
	2mm	Light Sky Blue
	3mm	Orange
	1/8 inch (3.175mm)	Purple1
	4mm	Gray60
	3/16 inch (4.76mm)	Yellow1
	5mm	Green1
	6mm	Red1
	1/4 inch (6.35mm)	Snow
	8mm	Blue



ASSEMBLY



PIN-OUT	
PIN	DESCRIPTION
B	B CHANNEL
5V	+5VDC POWER
A	A CHANNEL
X	INDEX OUPUT
G	GROUND
T	FOR FUTURE USE

MATING CONNECTOR
MOLEX 50-57-9405 HOUSING
MOLEX 16-02-0086 TERMINALS

CABLES AVAILABLE
(SOLD SEPERATELY)



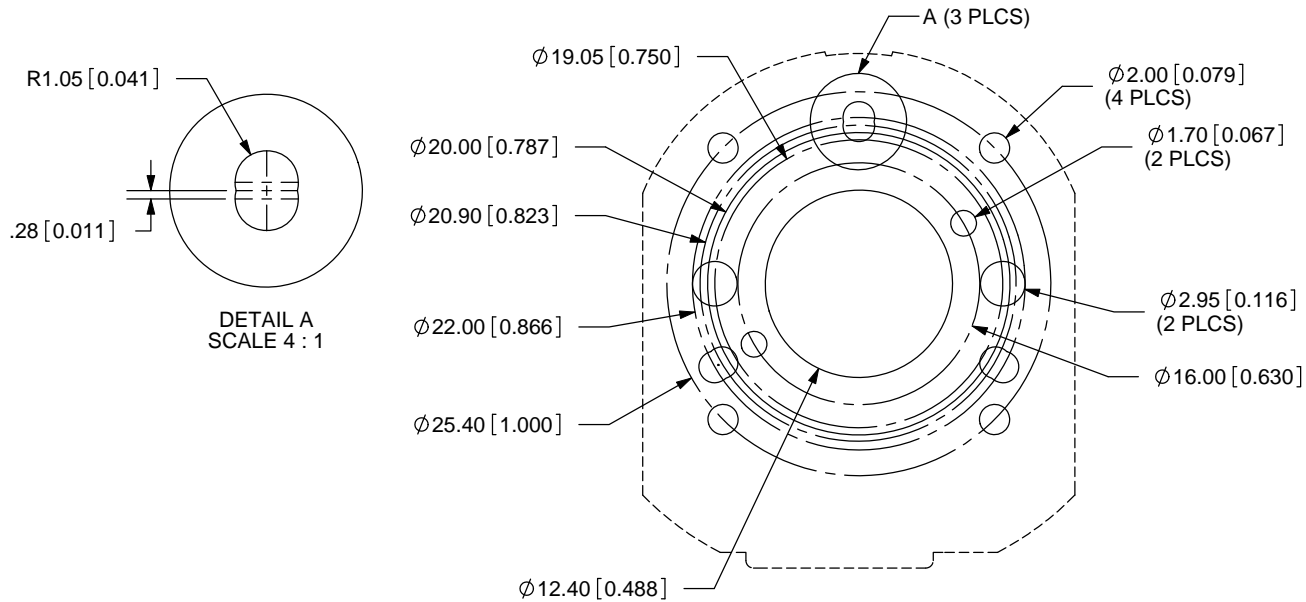
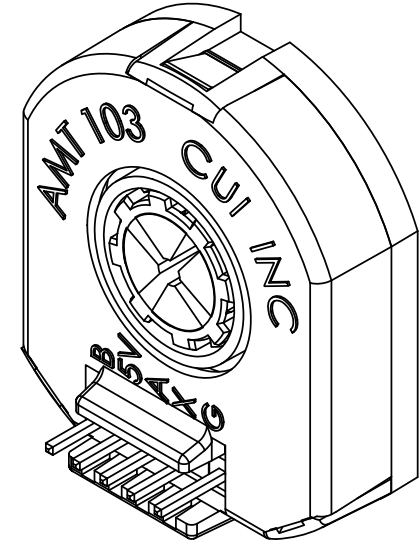
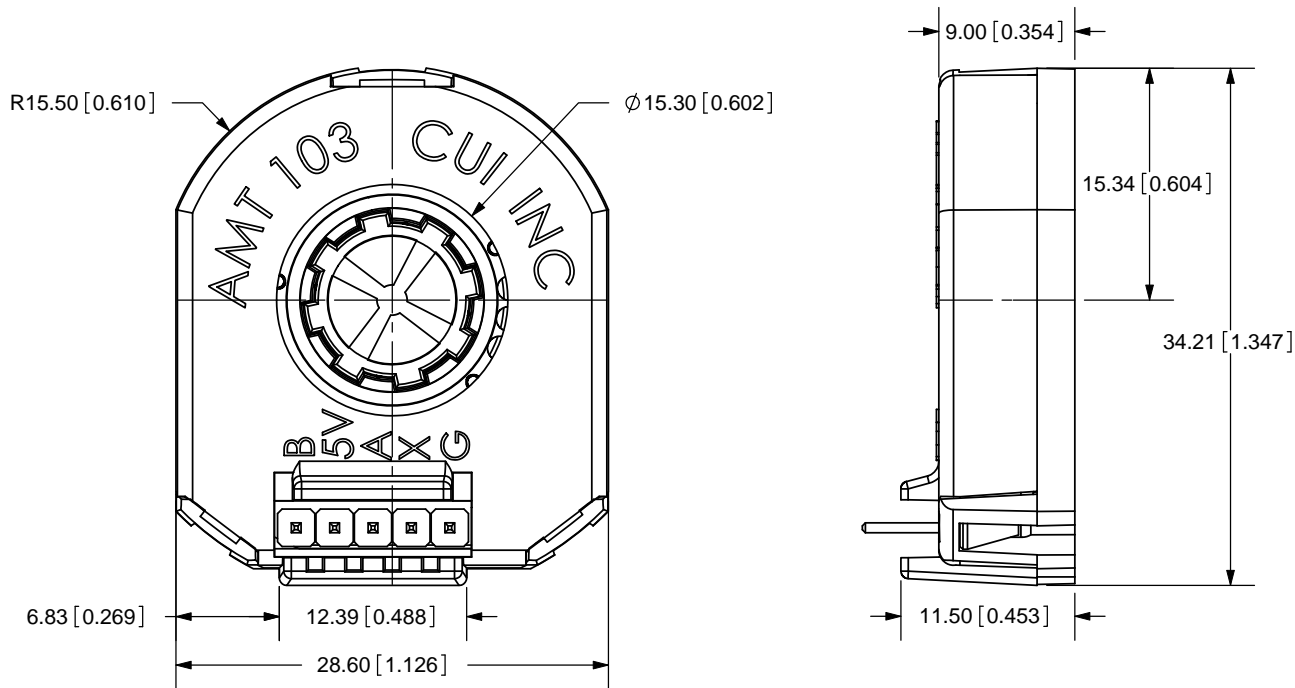
20050 SW 112th Ave.
Tualatin, OR 97062
Phone: 503-612-2300
800-275-4899
Fax: 503-612-2383
Website: www.cui.com

TITLE: AMT102-V		REV: C
PART NO. AMT102-V		UNITS: MM [INCHES]
DRAWN BY: ZRJ	APPROVED BY:	SCALE: N/A

AMT102-V comes with all items shown: all Sleeve sizes, Shaft Adapter, Base, Wide Base, Top Cover, Tool A, Tool B, Index Pulse, and 16 Resolution Dip Switch.

PC FILE NAME:
AMT102-V-REV-C

COPYRIGHT 2007 BY CUI INC.

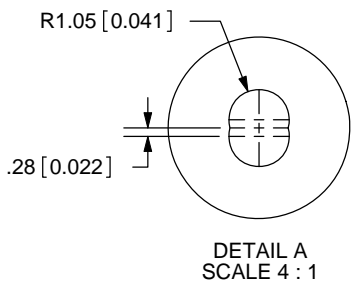
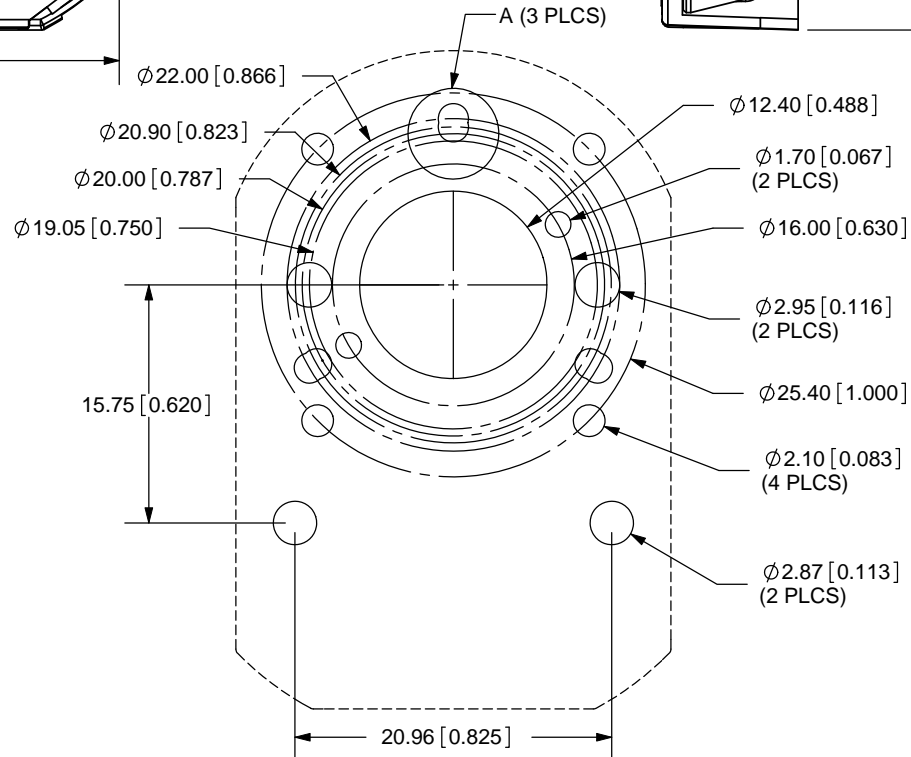
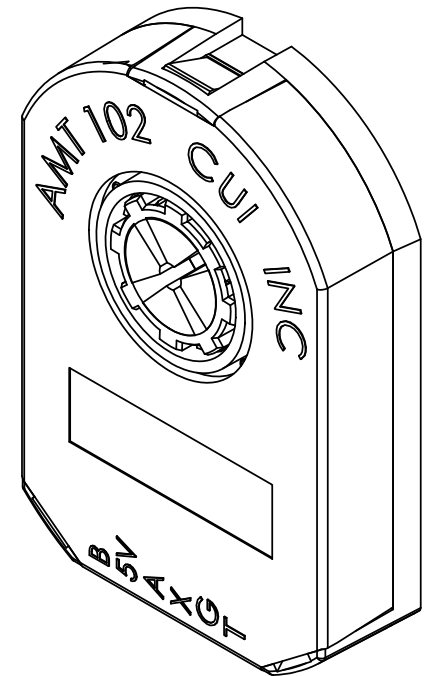
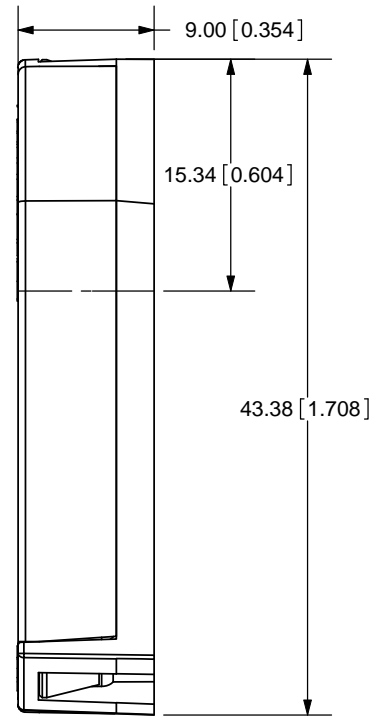
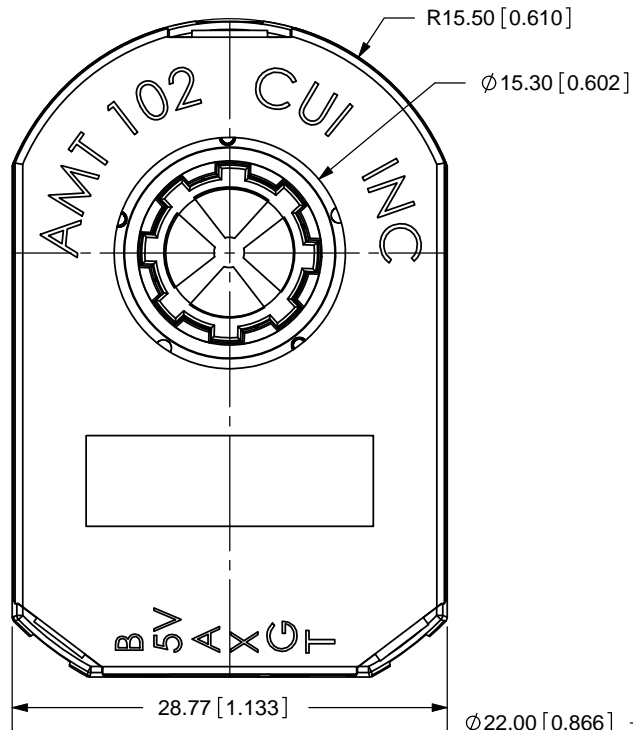


TOLERANCE:
 $\pm 0.05\text{mm}$ UNLESS OTHERWISE
 SPECIFIED



20050 SW 112th Ave.
 Tualatin, OR 97062
 Phone: 503-612-2300
 800-275-4899
 Fax: 503-612-2383
 Website: www.cui.com

TITLE: AMT103 DIMENSION DRAWING		REV: D
PART NO. AMT103		UNITS: MM [INCHES]
DRAWN BY: ZRJ	APPROVED BY:	SCALE: 2:1

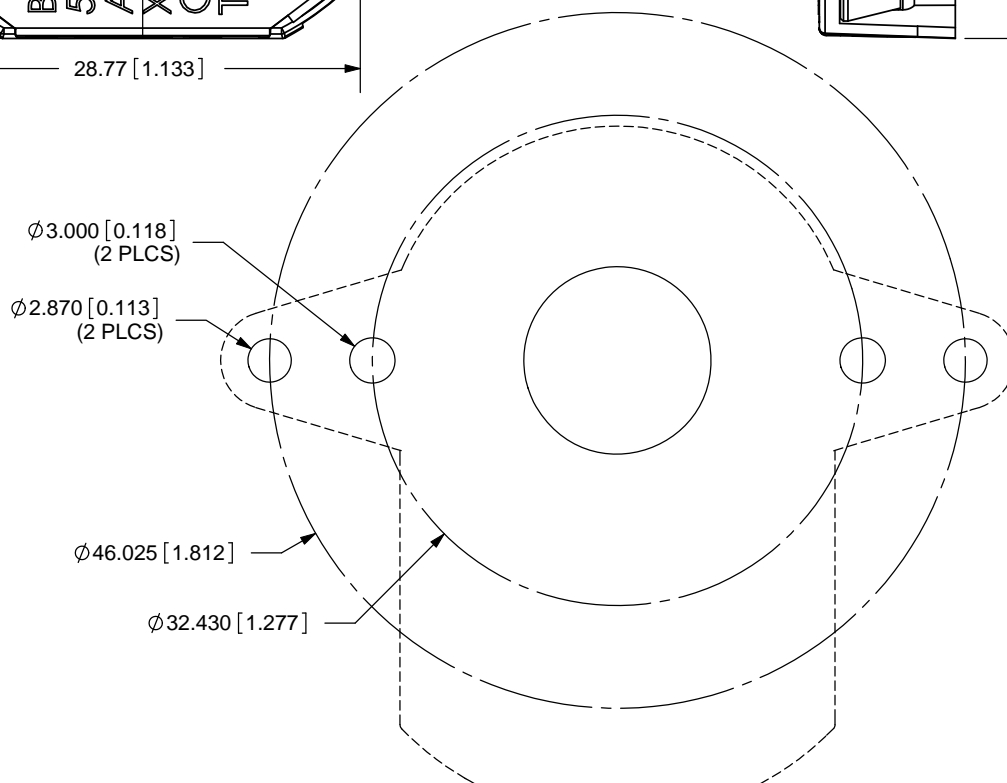
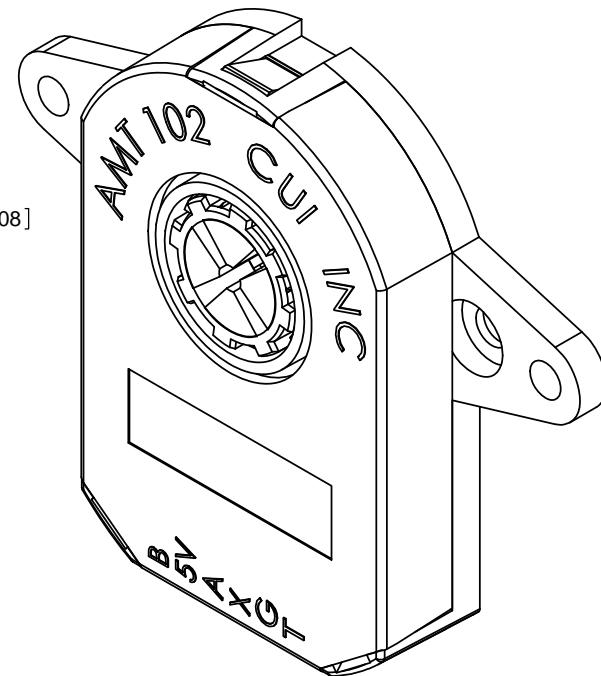
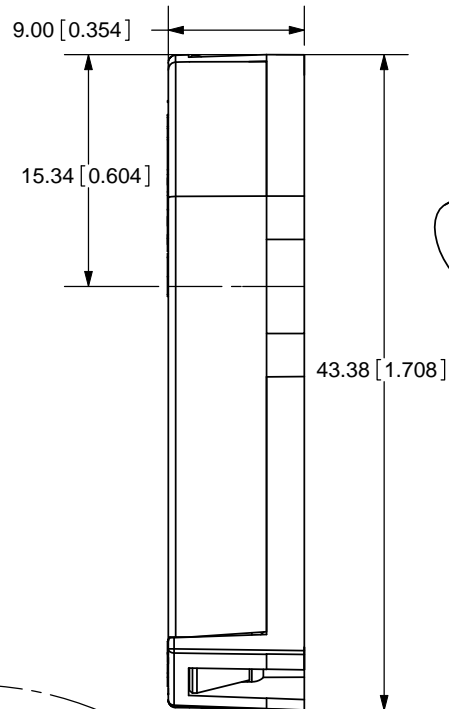
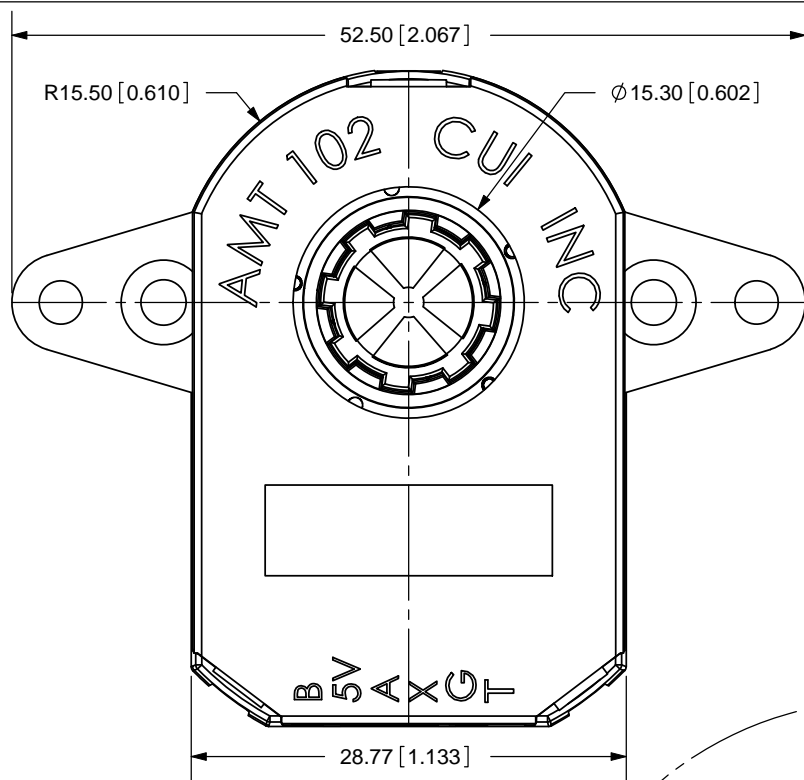


TOLERANCE:
±0.05mm UNLESS OTHERWISE
SPECIFIED



20050 SW 112th Ave.
Tualatin, OR 97062
Phone: 503-612-2300
800-275-4899
Fax: 503-612-2383
Website: www.cui.com

TITLE: AMT102 DIMENSION DRAWING		REV: C
PART NO. AMT102		UNITS: MM [INCHES]
DRAWN BY: ZRJ	APPROVED BY:	SCALE: 2:1



TOLERANCE:
±0.05mm UNLESS OTHERWISE
SPECIFIED



20050 SW 112th Ave.
Tualatin, OR 97062
Phone: 503-612-2300
800-275-4899
Fax: 503-612-2383
Website: www.cui.com

TITLE: AMT102 WIDE BASE DIMENSION DRAWING		REV: C
PART NO: AMT102 WIDE BASE	UNITS: MM [INCHES]	
DRAWN BY: ZRJ	APPROVED BY:	SCALE: 2:1

PC FILE NAME:
AMT102-dim-WB-REV-C

COPYRIGHT 2008 BY CUI INC.