

GC-04 DB-9 I/O Breakout Board

The GC-04™ DB-09 I/O Breakout board provides an easy way to connect to the VFD and input terminals of your Geckodrive G540™ 4-Axis Drive.

The board is designed to be mounted adjacent to the G540™ in the enclosure providing a convenient way to access these signals.

The GC-04™ I/O breakout board provides two DB-9 connectors . One for the G540 VFD signals, the other for the G540™ input signals.

The Breakout board has four 0.1" headers and includes 200mm cables for wiring between the breakout board and the G540™ .

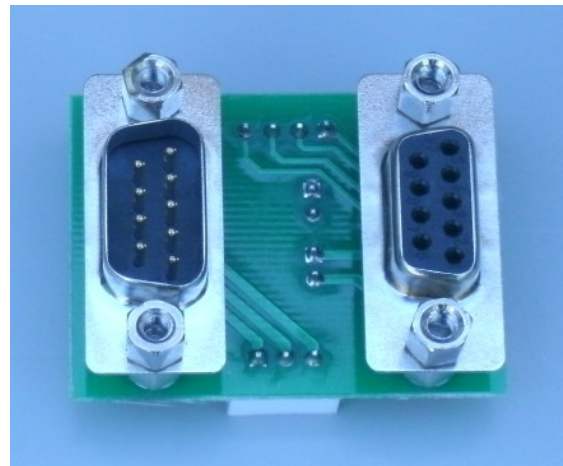


Illustration 1: GC-04 DB-9 I/O Breakout Board

The BoB is designed to be mounted to an enclosure panel by the four jackscrews that are included. The connections for the board are detailed in Table 1 below.

Signal	G540 Terminal	GC-04 Connectors	J1 DB9 (Female)	J2 DB9 (Male)
Input 1	1	J5-1	1	-
Input 2	2	J5-2	2	-
Input 3	3	J5-3	3	-
Input 4	4	J5-4	4	-
VFD Ground	7	J6-3	-	3
VFD Output	8	J6-2	-	2
VFD +10V	9	J6-1	-	1
Power Supply Ground	12	J4-1	6,7,8	-
Spare 1	-	J3-1	9	-
Spare 2	-	J3-2	5	-

Table 1: BOB to DB-9 Connector Pin outs

Illustration 2 below depicts the GC-04 side by side with a G540 stepper drive. As can be seen, it is ideally mounted in this orientation.

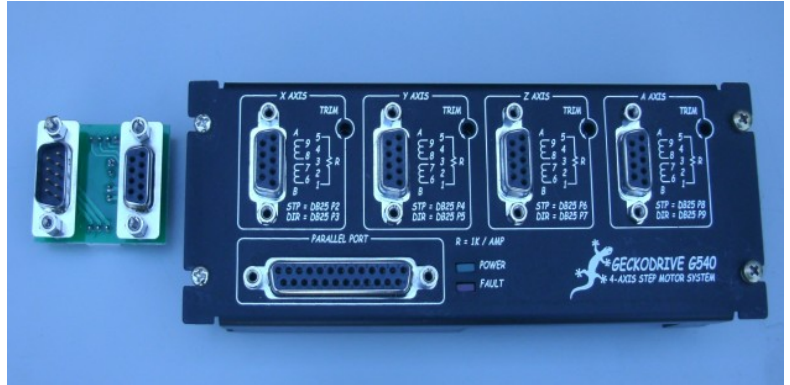


Illustration 2: GC-04 side by side with G540

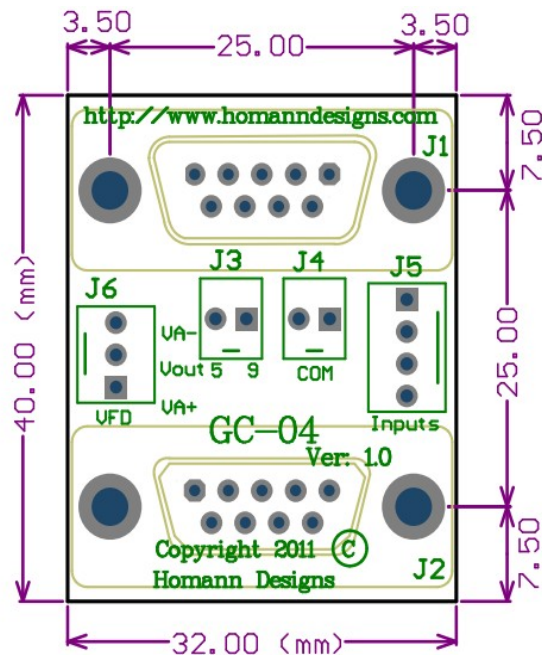


Illustration 3: GC-04 Dimensions

Copyright 2003-2011 © Homann Designs. All rights reserved.

No part of this publication may be reproduced, transmitted, transcribed, stored in a retrieval system, or translated into any language or computer language, in any form or by any means, electronic, mechanical, magnetic, optical, chemical, manual or otherwise, without the prior written permission of Homann Designs.

Disclaimer

Homann Designs makes no representation or warranties with respect to the contents hereof and specifically disclaim any implied warranties or merchantability or fitness for any particular purpose. Information in this publication is subject to change without notice and does not represent a commitment on the part of Homann Designs.

Feedback

We appreciate any feedback you may have for improvements on this document. Please send your comments to info@homanndesigns.com

Trademarks

GC-04™ is a trademark of Homann Designs. All other brand and product names mentioned herein are trademarks, services marks, registered trademarks, or registered service marks of their respective owners and should be treated as such.