

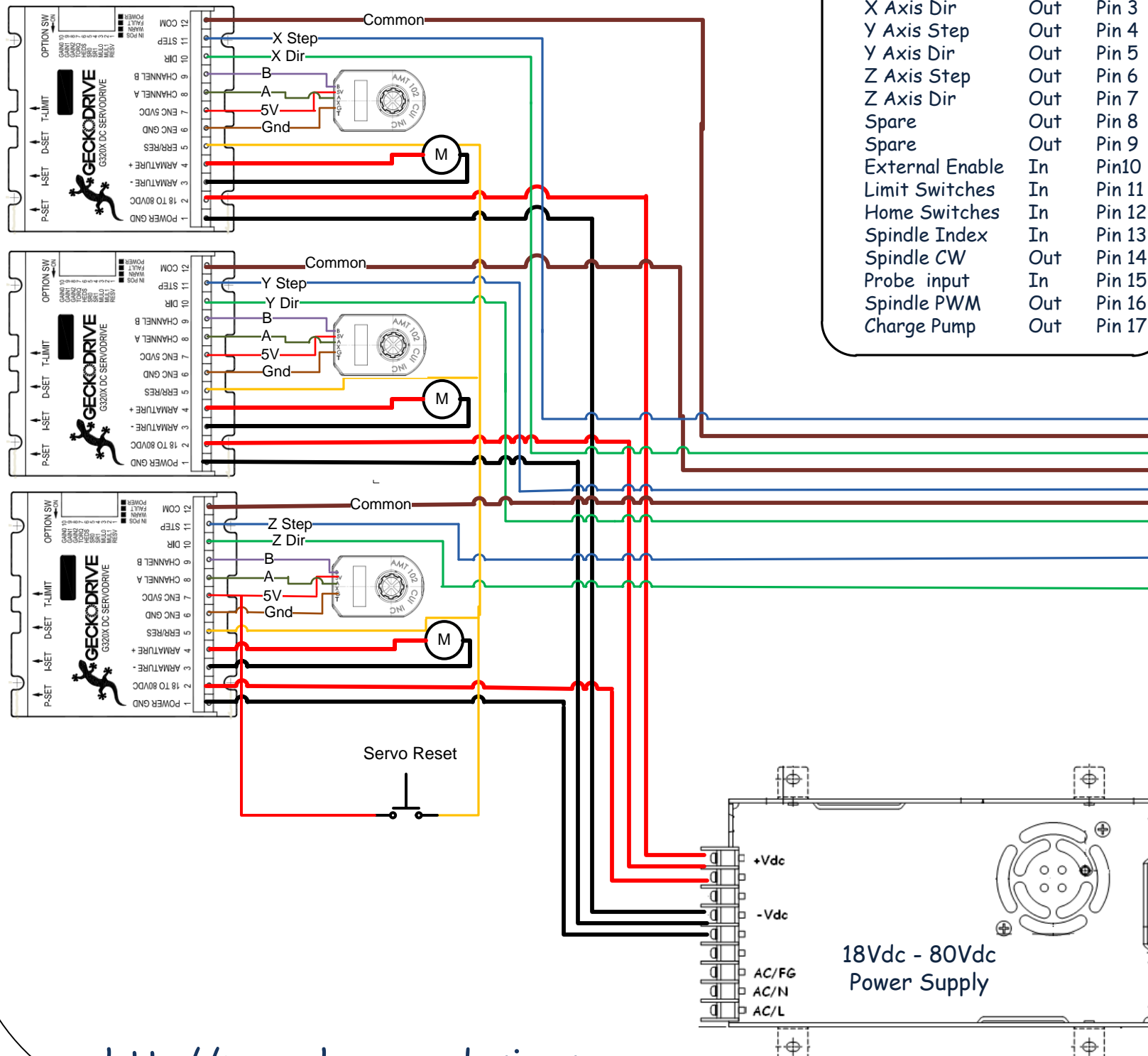
### GeckoDrive G320X Servo Drives

#### Notes

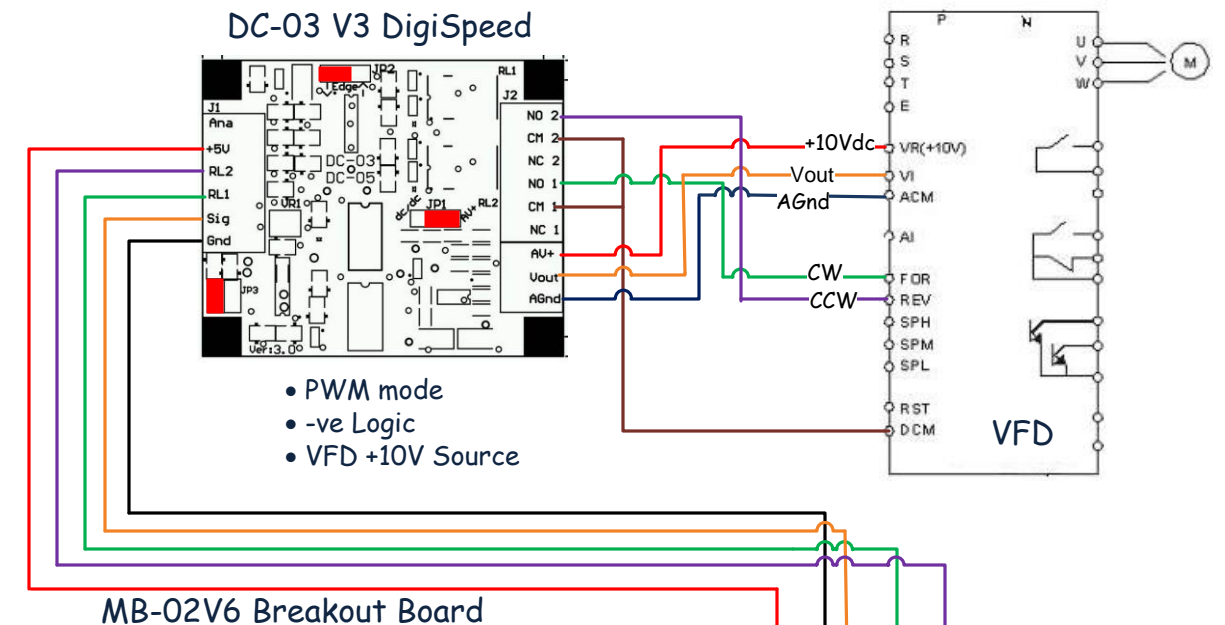
- The MB-02 has been setup for -ve logic, that is a logic 0 indicates an active signal.
- Mach3 needs to be setup for Active low signals on all outputs and inputs.
- The Servo Drive Reset is a pushbutton switch that when closed for 1 second will Reset and enable the drives

#### Parallel Port Pin Assignments

Signal	Type	Pin
Spindle CCW	Out	Pin 1
X Axis Step	Out	Pin 2
X Axis Dir	Out	Pin 3
Y Axis Step	Out	Pin 4
Y Axis Dir	Out	Pin 5
Z Axis Step	Out	Pin 6
Z Axis Dir	Out	Pin 7
Spare	Out	Pin 8
Spare	Out	Pin 9
External Enable	In	Pin 10
Limit Switches	In	Pin 11
Home Switches	In	Pin 12
Spindle Index	In	Pin 13
Spindle CW	Out	Pin 14
Probe input	In	Pin 15
Spindle PWM	Out	Pin 16
Charge Pump	Out	Pin 17



#### DC-03 V3 DigiSpeed



#### MB-02V6 Breakout Board

- JP1 - Enable controlled via EN low and Charge Pump
- JP2a - Parallel Port pins D2-D9 are selected as outputs
- JP2b - Enable sourced from EN inputs
- Vcom - Common terminals are set to 5V
- IN - Input Pull-ups are to 5V
- JP4 - Output Pull-ups are to 5V
- JP7 - D2-D9 Pull-ups are to 5V

