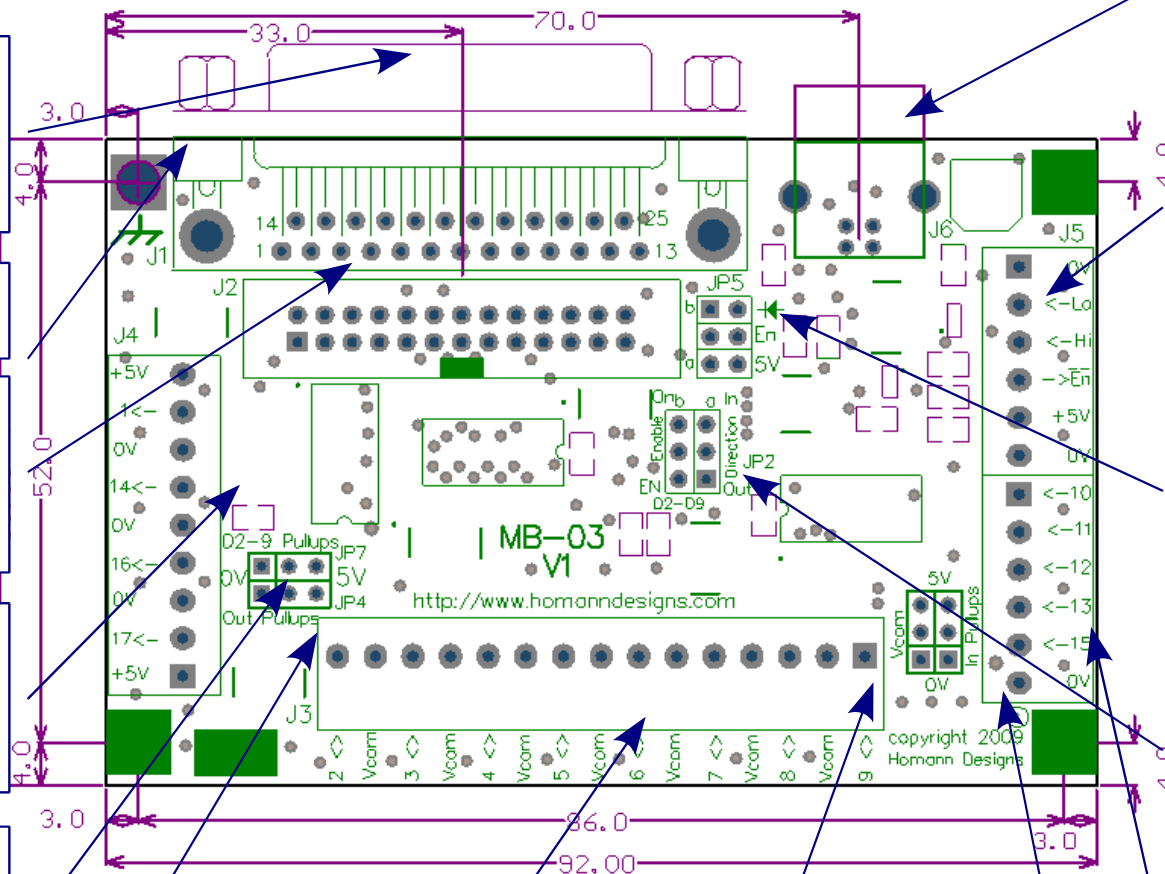




# EN-011

## MB-03 Breakout Board Overview V1



**J1 Parallel Port**  
Female DB-25 parallel port connector

Mounting hole connected to J1 DB-25 shield

**J2 Parallel Port**  
IDC-26 header for alternative parallel port connection

**J4 Outputs**  
Buffered Parallel port output pins 1,14,16, 17

**JP7 D2-D9 Polarity**  
Sets the Pullups for D2 - D9 terminals to 0V or 5V

**JP4 Outputs Polarity**  
Sets the Pullups for the outputs to 0V or 5V

**J3 Inputs/Outputs**  
Buffered Parallel port pins 2-9. The direction of the buffers on these pins is selected by JP2

**Vcom Polarity**  
Sets the polarity of the Vcom terminals to 0V or 5V.

**JP6**  
Sets Pullups for the input pins 10,11,12,13,15

**J6 USB Power**  
USB B Connector for 5V power

**J5 Power, Enable**  
Enable Lo or Enable Hi inputs. Terminals for external 5V supply input.

**JP5 a,b,c**  
JP5b allow for an external Enable LED.  
JP5a connect +5V supply to Pin 26 of J2.  
JP5c Overrides the external enable input.

**JP2 D2-D9 Control**  
Selects the direction of the parallel port pins 2-9 and their enable control source

**J5 Inputs**  
Buffered Parallel port input pins 10,11,12,13,15

