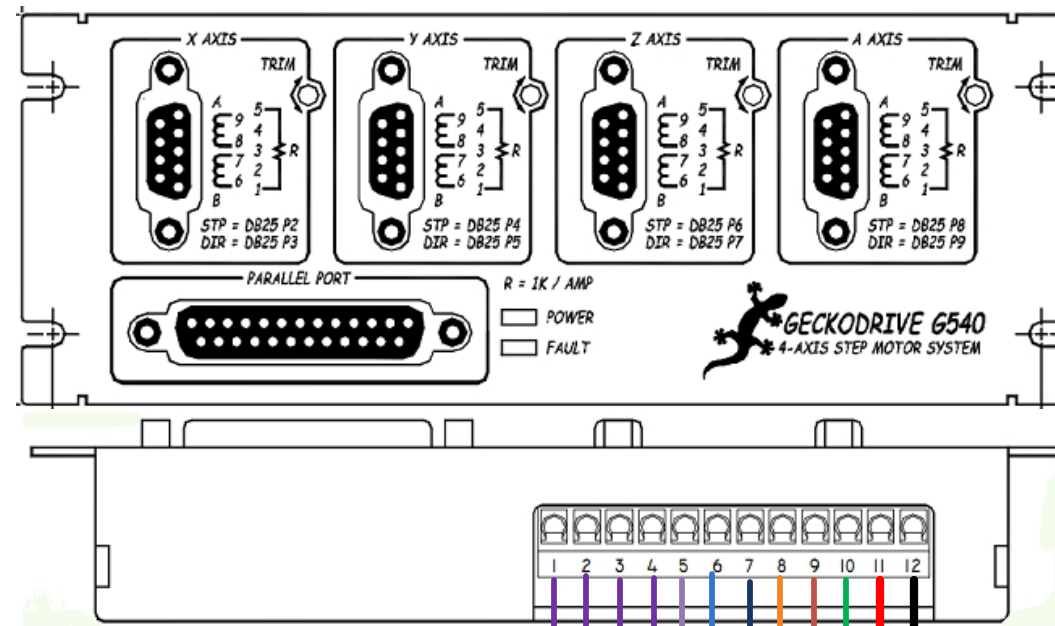


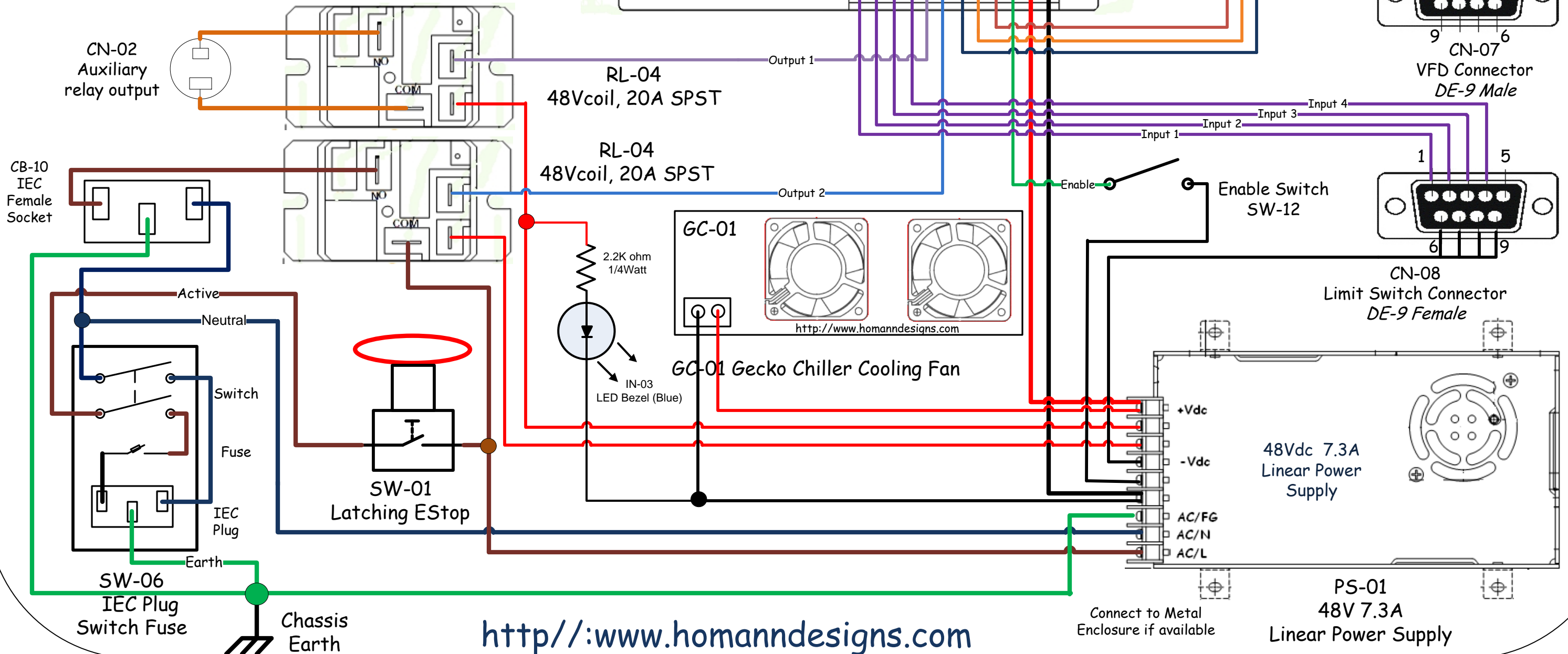
Homann Designs Parts Used

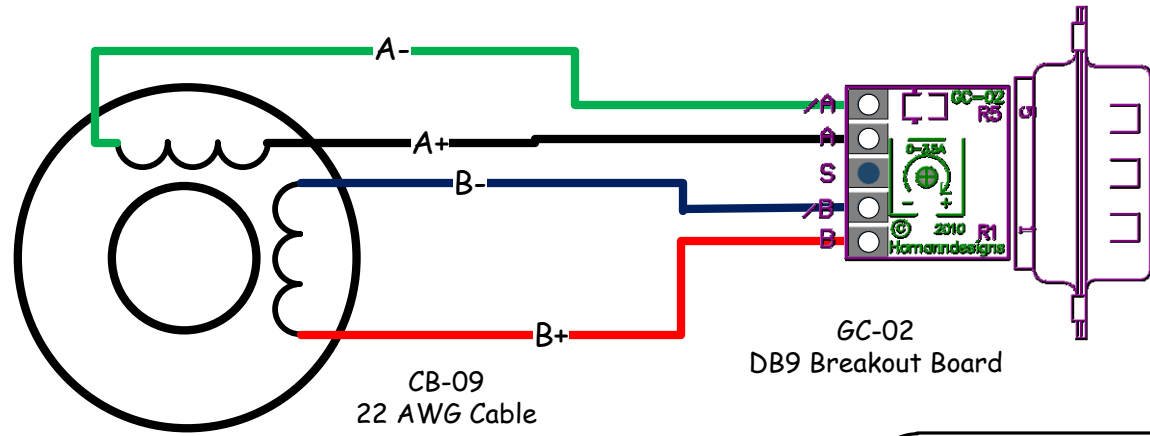
- 1 x G540 GeckoDrive 4-Axis Stepper drive
- 3 x SM-03 387 Oz-in Stepper Motors
- 1 x PS-01 48V 7.3A linear Power Supply
- 2 x RL-04 48V coil, 20A SPST Relays
- 1 x SW-01 Latching Estop Switch
- 1 x SW-06 IEC Plug/Switch/Fuse
- 1 x CB-10 IEC Female Socket
- 1 x SW-12 Mini Rocker switch
- 1 x GC-02 DB9 Stepper Breakout board
- 1 x GC-01 Gecko Chiller cooling fan
- 1 x CN-02 2 Pin plug and Socket set
- 2 x CN-07 DB9 Male Connector
- 2 x CN-08 DB9 Female Connector
- 3 x SW-11 Omron Sealed home Switches
- 6 x SW-08 Omron Limit Switches
- 1 x IN-03 Chrome Bezel with 5mm Blue LED

Note:
Parts in this colour are included in the CC-01 Controller Kit.



G540 GeckoDrive™ 4-Axis Stepper Drive System





Model	Size	Current	Resistor
SM-02	269 Oz-in	2.8A	2.8K ohm
SM-03	387 Oz-in	3.5A	3.5K ohm

Stepper Motor Wiring

