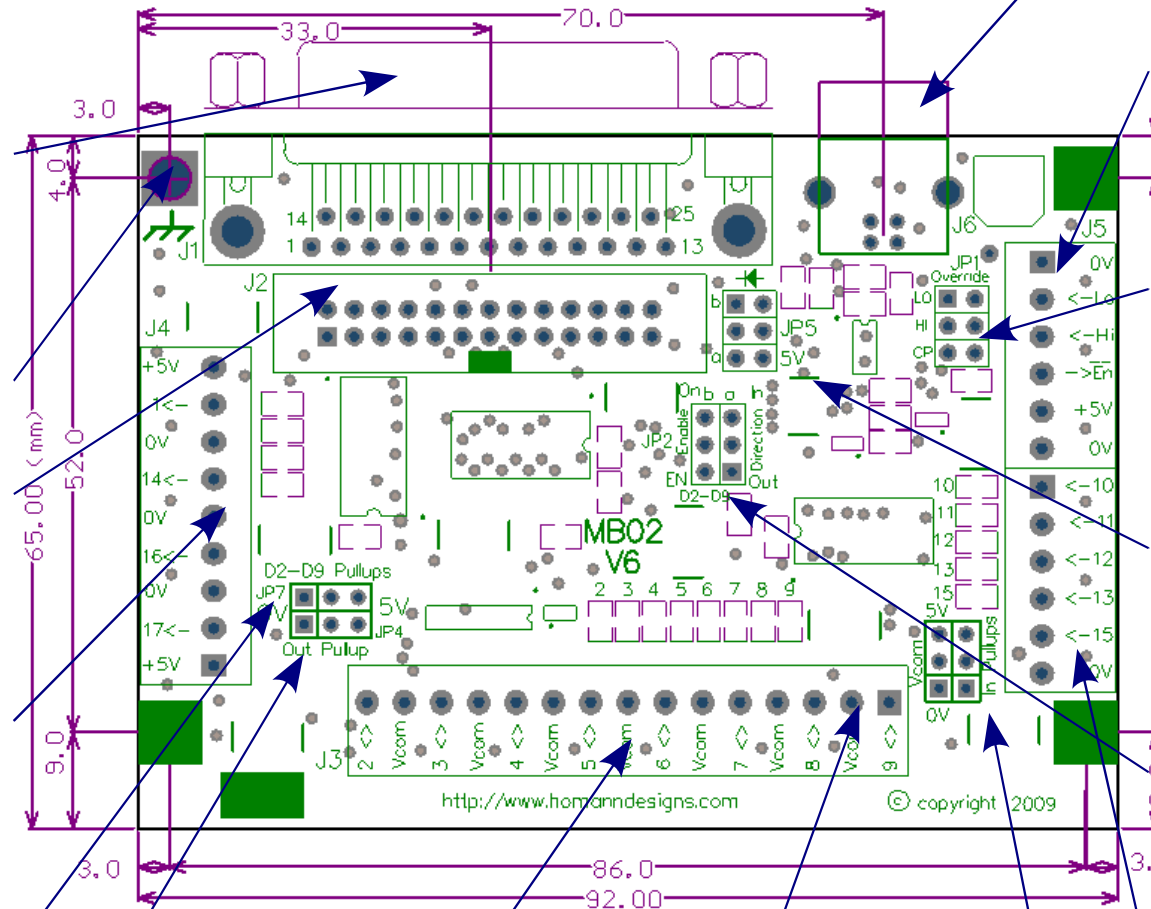




EN-008

MB-02 Breakout Board Overview V6



J1 Parallel Port

Female DB-25 parallel port connector

Mounting hole connected to J1 DB-25 shield

J2 Parallel Port

IDC-26 header for alternative parallel port connection

J4 Outputs

Buffered Parallel port output pins 1,14,16, 17

JP7 D2-D9 Polarity

Sets the Pullups for D2 - D9 terminals to 0V or 5V

JP4 Outputs Polarity

Sets the Pullups for the outputs to 0V or 5V

J3 Inputs/Outputs

Buffered Parallel port pins 2-9. The direction of the buffers on these pins is selected by JP2

Vcom Polarity

Sets the polarity of the Vcom terminals to 0V or 5V.

JP6

Sets Pullups for the input pins 10,11,12,13,15

J6 USB Power

USB B Connector for 5V power

J5 Power, Enable

Enable Lo or Enable Hi inputs. Terminals for external 5V supply input.

JP1 Enable Override

When inserted, the particular enable control (Lo, Hi, CP) is overridden and enabled.

JP5

Pins 1 & 2 allow for an external Charge Pump Enable LED. Jumper pins 5 & 6 to connect +5V supply to Pin 26 of J2.

JP2 D2-D9 Control

Selects the direction of the parallel port pins 2-9 and their enable control source

J5 Inputs

Buffered Parallel port input pins 10,11,12,13,15

Homann Designs