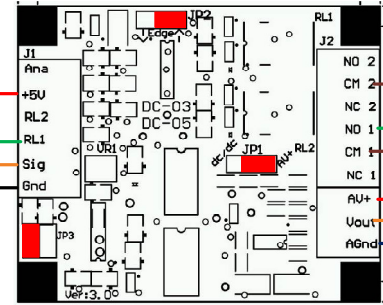


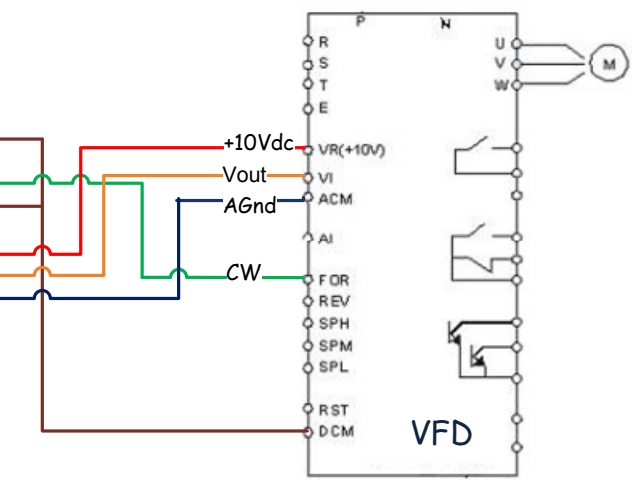
Parallel Port Pin Assignments

Stepper Enable	Out	Pin 1
X Axis Step	Out	Pin 2
X Axis Dir	Out	Pin 3
Y Axis Step	Out	Pin 4
Y Axis Dir	Out	Pin 5
Z Axis Step	Out	Pin 6
Z Axis Dir	Out	Pin 7
A Axis Step	Out	Pin 8
A Axis Dir	Out	Pin 9
External Enable	In	Pin 10
Limit Switches	In	Pin 11
Home Switches	In	Pin 12
Spindle Index	In	Pin 13
Spindle PWM	Out	Pin 14
Probe input	In	Pin 15
Spindle CW	Out	Pin 16
CP Enable	Out	Pin 17

DC-03 V3 DigiSpeed



- JP3 - PWM mode
- JP2 - +ve Logic
- JP1 - VFD +10V Source



MB-03 Breakout Board

- All Parallel Port Signals are active high
- JP2b - Enable controlled via external switch
- JP2a - Parallel Port pins D2-D9 are selected as outputs
- JP3 - Common terminals are set to 0V
- JP4 - Output Pull-ups are set to 0V
- JP5 - Input Pull-ups are set to 0V
- JP7 - D2-D9 Pull-ups are set to 0V